

Connecting

Community

Loop Outdoor Pods

ALL TOGETHER NOW



Set
Square
Productions

Experiences

LOOP

Shaping public spaces all year round



Photography: Sean Fennessy

Environment
Outdoor

Size
2.25m (Diam) x 2.1m (H) x 1.8m (L)

Features

- Seating capacity: 6-8 people
- Weather resistant
- Easily relocatable

Powder coat colours:



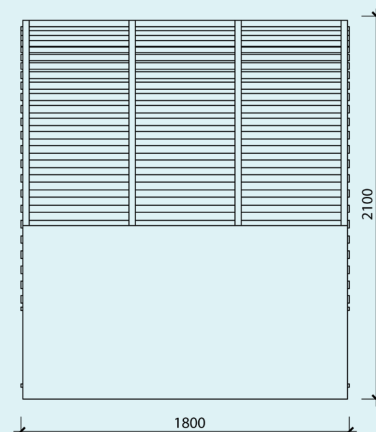
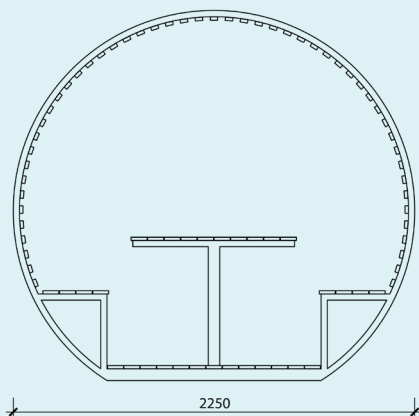
Black



Pale Eucalypt



Paperbark



POD CONFIGURATIONS



Shown in Black powder coat with hardwood timber

Shade

Featuring hardwood timber, a half-skirt and open top, this breathable setting integrates seamlessly into natural environments. A shaded seating area with wind reduction that facilitates community connection in schools, parks, and other outdoor spaces.

POA



Shown in Paperbark powder coat with recycled timber

Shelter

The thermal-efficient wall of this polycarb shroud provides a weather and impact resistant exterior. The recycled timber is sustainable, highly durable and low-maintenance, inviting students, diners, shoppers or park-goers to gather year round.

POA



Shown in Paperbark powder coat with example artwork wrap

Shelter + wrap

Design your own replaceable artwork wrap to feature motifs or branding, whilst acting as a sacrificial barrier between vandals and the Pod. Exciting opportunities for local artists and community expression.

POA



ACCESSIBILITY

We also offer ramp solutions to facilitate access for all community members. These can be added to any Loop configuration, with matching powder coat and hardwood or recycled timber.

Environment
Outdoor

Size
2.4m (L) x 1.2m (W)

Features
1:14 graded ramp

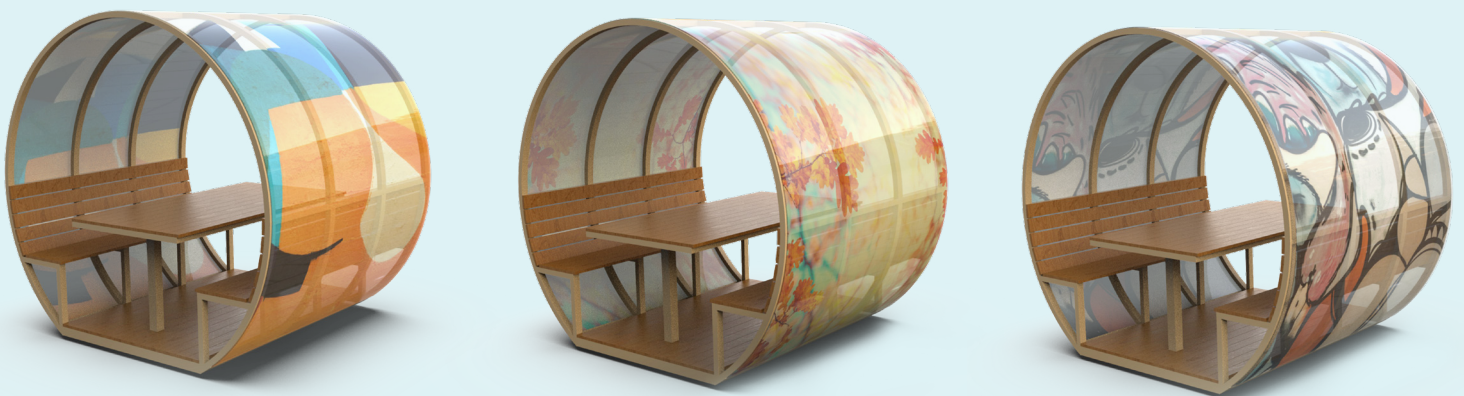
POA



REPLACEABLE ARTWORK WRAPS

Shelter + wrap configuration

Featuring images, graphics or designs created by an artist or designer of your choice, these wraps are printed on UV rated self-adhesive vinyl. They are interchangeable, meaning you can refresh the look and feel of your space as desired. We provide detailed specifications for your designer to create print-ready artwork files.



Artist impression - for illustration purposes only

MADE IN MELBOURNE



Photography: Sean Fennesy

Get in touch

Mark Neilsen
Director

T: 0422 424 455
mark@setsquare.com.au

Set Square Productions
5, 201 Hyde Street
Yarraville VIC 3013